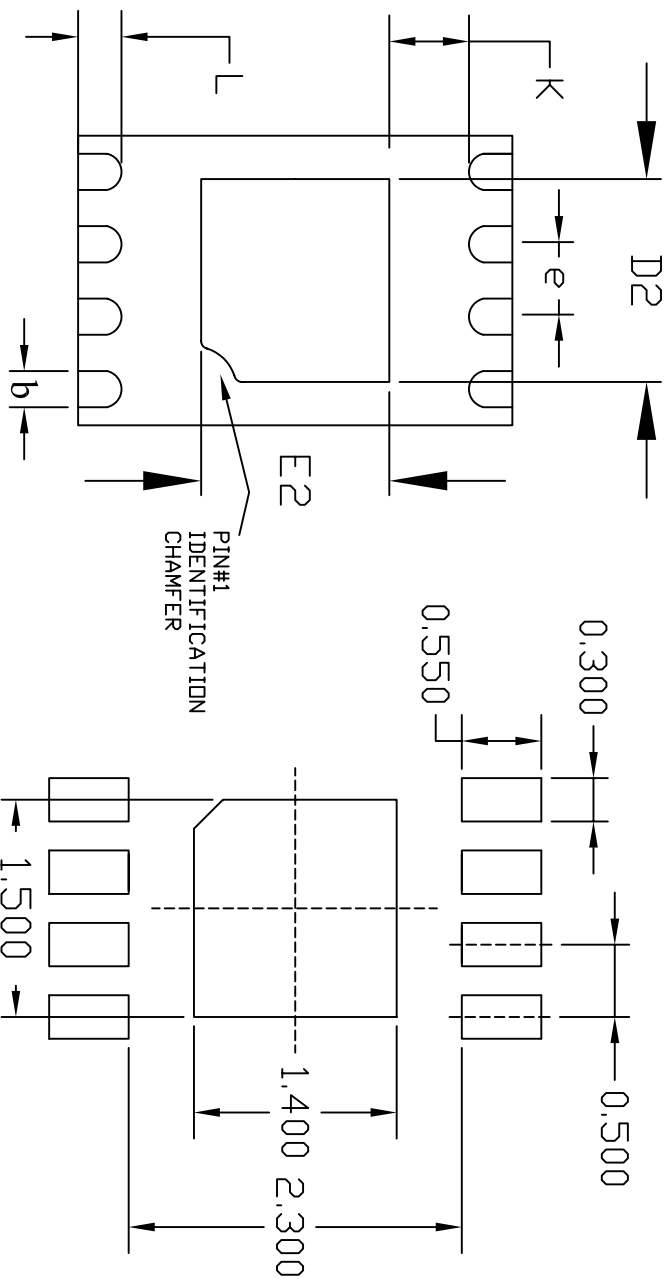
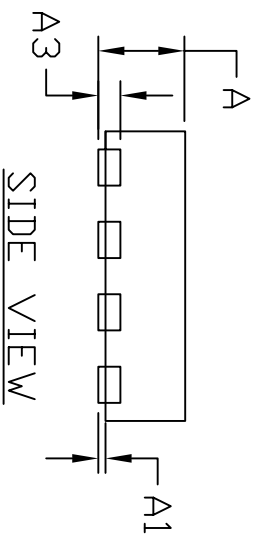


TOP VIEW



BOTTOM VIEW



SIDE VIEW

SYMBOLS	DIMENSIONS IN MILLIMETERS			DIMENSIONS IN INCHES		
	MIN	NOM	MAX	MIN	NOM	MAX
A	0.50	0.55	0.60	0.020	0.022	0.024
A1	0.00	—	0.05	0.000	—	0.002
b	0.18	0.25	0.30	0.007	0.010	0.012
A3	—	0.152 REF.	—	—	0.006 REF.	—
D	—	2.00 BSC	—	—	0.079 BSC	—
D2	1.25	1.40	1.50	0.049	0.055	0.059
E	—	3.00 BSC	—	—	0.118 BSC	—
E2	1.15	1.30	1.40	0.045	0.051	0.055
e	—	0.50 BSC	—	—	0.020 BSC	—
K	0.40	—	—	0.016	—	—
L	0.20	0.30	0.40	0.008	0.012	0.016

NOTE
1. CONTROLLING DIMENSION IS MILLIMETER.



TITLE
8L 2x3mm UDFN
Package Outline

REV. A
DATE 01/13/2010

DOC NO.
QRA-310-006